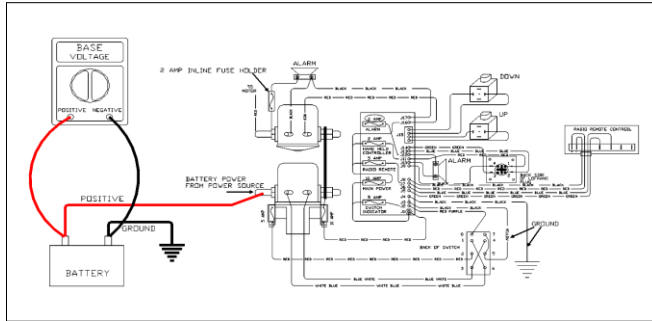
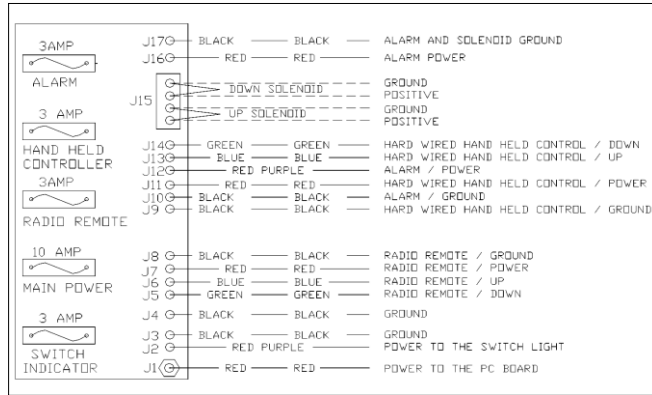


Control Board Schematic



control board ->



older schematic ->

